

## Fiber Power Head with InGaAs Detector



**S155C**

### Description

The S155C power head is designed for fiber based applications in the VIS and NIR wavelength range without having a disturbing cable between sensor head and power meter console. The head is spectrally calibrated over the whole wavelength operating range and detects light from nanowatts up to 20 mW.

The S155C comes with a FC fiber adapter. Other fiber adapters like SMA, ST, LC and SC are available as accessory and can be easily changed without tools. The sensor housing is equipped with a sub-d connector with a self-fixing mechanism.

The S155C is compatible with all new Thorlabs display units. A non-volatile memory in the sensor connector contains sensor information data and the NIST and PTB traceable calibration data.

### Available Accessories

PM20-SC	SC fiber adapter
PM20-LC	LC fiber adapter
PM20-ST	ST fiber adapter
PM20-E2000	E2000 fiber adapter
PM20-FC	FC fiber adapter (included)
PM20-SMA	SMA fiber adapter

### Cleaning and Maintenance

There are no serviceable parts in the S155C head. The housing may be cleaned by wiping with a soft damp cloth. When cleaning the aperture filter, treat it as any other fine optic. Gently blow off any debris using compressed air and wipe gently with an optic tissue wetted with propanol. If you suspect a problem with your S155C please call Thorlabs and an engineer will be happy to assist you.

As long as the sensor has not been exposed to excessive optical power (please pay attention to the maximum ratings in the technical specifications), the calibration should be very stable over long periods of time (well over a year). To keep the accuracy and performance of the S155C, Thorlabs recommends a yearly recalibration, starting one year after purchase.

## Specifications

S155C	
Detector Type	InGaAs Photodiode
Wavelength Range	800 - 1700 nm
Optical Power Working Range	1 nW - 20 mW (-60 dBm ... +13 dBm)
Max Average Power Density	10 W/cm <sup>2</sup>
Max Pulse Energy	20 μJ
Linearity	± 0.5%
Resolution <sup>1)</sup>	100 pW (-70 dBm)
Measurement Uncertainty <sup>2)</sup>	±5%
Typical Application	Low Power Fiber Lasers
Laser Types	Fiber coupled Diode, He-Cd, Arlo, Krlo, Dye, Ti-Sapphire
Coating /Diffuser	N/A
Cooling	Convection
Head Temperature Measurement <sup>3)</sup>	NTC Thermistor 3 kΩ
Console Compatibility	PM100D, PM100A, PM100USB, PM200, PM320E
Response Time	< 1 μs
Sensor Dimensions	36.2 x 31 x 14.5 mm (w/o fiber adapter)
Active Detector Area	Ø2 mm
Input Aperture	Ø5 mm
Connector	Sub-D 9p male
Weight	0.03 kg
Aperture Thread	SM05, outer thread
Fiber Adapters (optional)	SC, LC, ST, SMA (FC included)

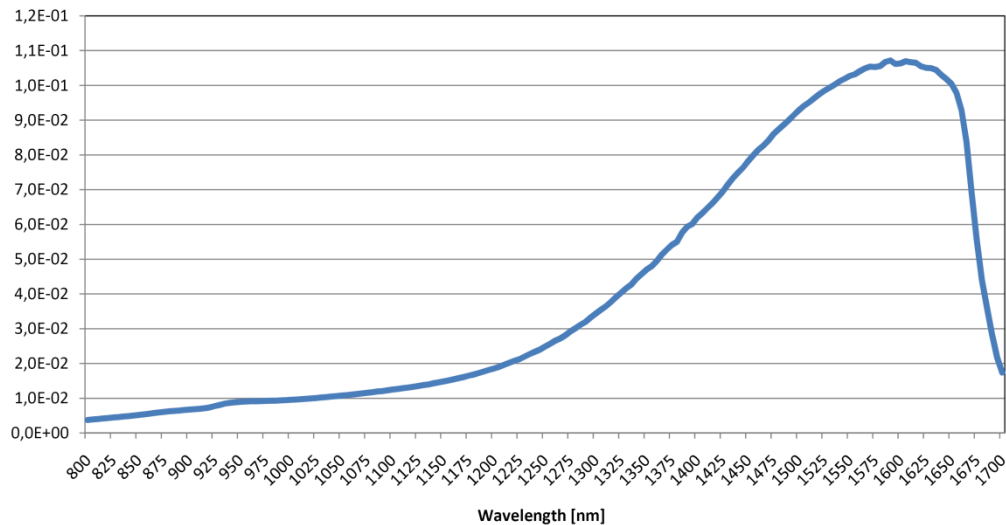
<sup>1)</sup> Measured with PM100D console in bandwidth low setting.

<sup>2)</sup> Beam diameter > 1mm

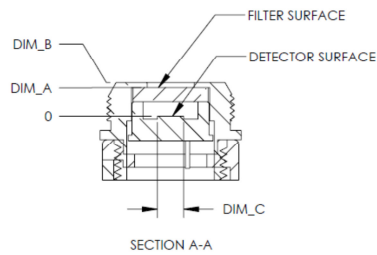
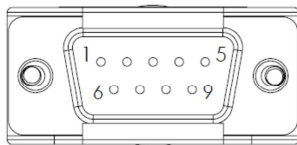
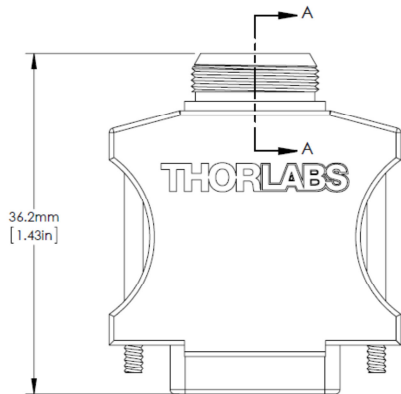
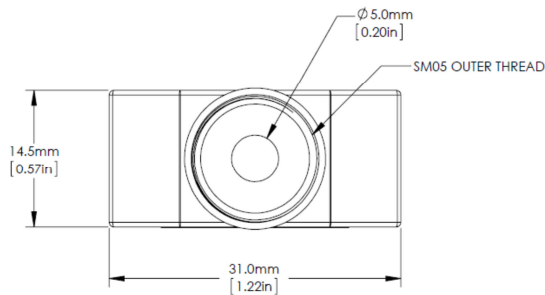
<sup>3)</sup> This specification is valid for S155C devices from serial number 1203xxx. For older versions, please contact technical support.

Please note that the S154C power meter head is not compatible with the older Thorlabs power meter consoles (PM100, PM30, PM300, PM300E, S100).

## Typical Response Graph

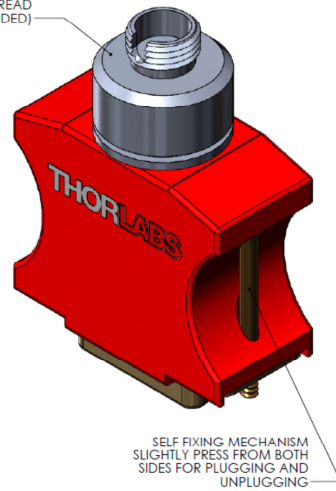


## Drawings



	DIM_A	DIM_B	DIM_C
S150C	2.0 mm	2.5 mm	3.6 mm
S151C	3.4 mm	2.9 mm	3.6 mm
S154C	1.0 mm	1.5 mm	2.0 mm
S155C	2.7 mm	3.2 mm	2.0 mm

INTERCHANGEABLE FIBER ADAPTER WITH SM05 THREAD (FC INCLUDED)



CONNECTOR PIN DIAGRAM

2	EEPROM DATA
3	PD ANODE & NTC GROUND
4	PD KATHODE
6	EEPROM GROUND
7	NTC
1,4,5,9	N.C.

DRAWING PROJECTION			<b>THORLABS</b> www.thorlabs.com
DRAWN	NAME	DATE	FIBER POWER HEAD
GO		10/APR/13	

## ***Precautions and Warranty Information***

---

These products are ESD (electro static discharge) sensitive and as a result are not covered under warranty. In order to ensure the proper functioning of a photodiode care must be given to maintain the highest standards of compliance to the maximum electrical specifications when handling such devices. The photodiodes are particularly sensitive to any value that exceeds the absolute maximum ratings of the product. Any applied voltage in excess of the maximum specification will cause damage and possible complete failure to the product. The user must use handling procedures that prevent any electro static discharges or other voltage surges when handling or using these devices.

Thorlabs, Inc. Life Support and Military Use Application Policy is stated below:

THORLABS' PRODUCTS ARE NOT AUTHORIZED FOR USE AS CRITICAL COMPONENTS IN LIFE SUPPORT DEVICES OR SYSTEMS OR IN ANY MILITARY APPLICATION WITHOUT THE EXPRESS WRITTEN APPROVAL OF THE PRESIDENT OF THORLABS, INC. As used herein:

- 1. Life support devices or systems are devices or systems which, (a) are intended for surgical implant into the body, or (b) support or sustain life, and whose failure to perform, when properly used in accordance with instructions for use provided in the labeling, can be reasonably expected to result in a significant injury to the user.*
- 2. A critical component is any component in a life support device or system whose failure to perform can be reasonably expected to cause the failure of the life support device or system or to affect its safety or effectiveness.*
- 3. The Thorlabs products described in this document are not intended nor warranted for usage in Military Applications.*

