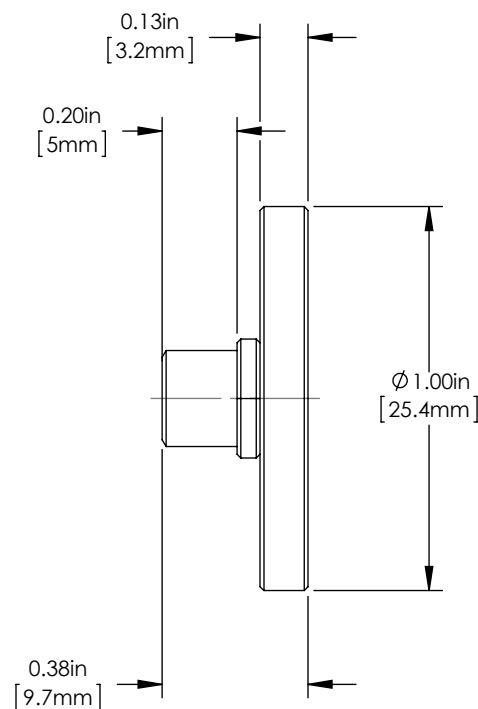
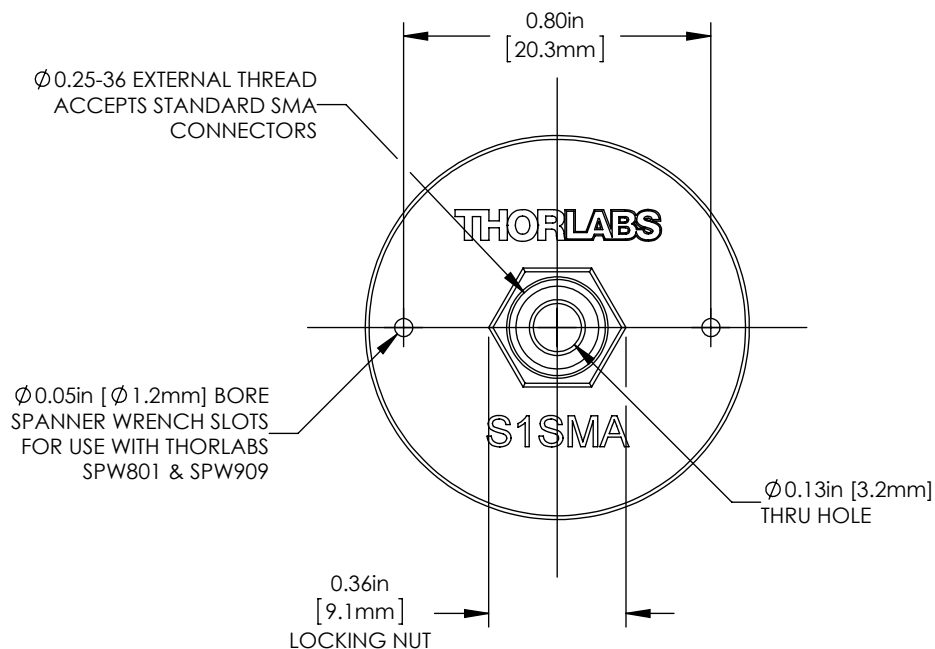




ISOMETRIC VIEW
SCALE 1:1



INCLUDED BUT NOT SHOWN:
*PROTECTIVE DUST CAP

FOR INFORMATION ONLY
NOT FOR MANUFACTURING PURPOSES

DRAWING PROJECTION				THORLABS www.thorlabs.com Ø1.0" SMA FIBER ADAPTER, UNTHREADED	
NAME	DATE				
DRAWN	CAL	03/14/14			
APPROVAL	BAG	11/17/15			
COPYRIGHT © 2015 BY THORLABS			MATERIAL		REV B
VALUES IN PARENTHESIS ARE CALCULATED AND MAY CONTAIN ROUND OFF ERRORS			ITEM #		APPROX WEIGHT
			S1SMA		0.004 kg