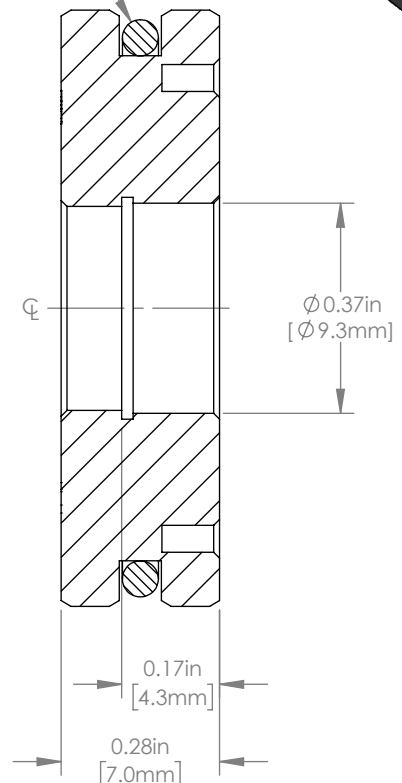


BUNA O-RING PROVIDES FRICTION FIT WITH MATING PARTS



SECTION A-A

- COMPATIBLE WITH**
- A110TM -C220TME
 - A220TM -C230TME
 - A230TM -C260TME
 - A375TM -C280TME
 - A390TM -C330TME
 - A397TM -C340TME
 - C036TME -C560TME
 - C037TME -C610TME
 - C110TME -C671TME

FOR INFORMATION ONLY
NOT FOR MANUFACTURING PURPOSES

| | | | | |
|---|------|-----------|----------------------|---------------|
| DRAWING PROJECTION | | | www.thorlabs.com | |
| REDRAWN | NAME | DATE | | |
| APPROVAL | GA | 17/MAY/12 | MATERIAL | REV D |
| COPYRIGHT © 2012 BY THORLABS | | | N/A | |
| VALUES IN PARENTHESIS ARE CALCULATED AND MAY CONTAIN ROUND OFF ERRORS | | | ITEM # | APPROX WEIGHT |
| | | | S1TM09 | 0.01kg |