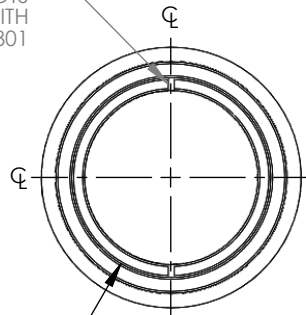
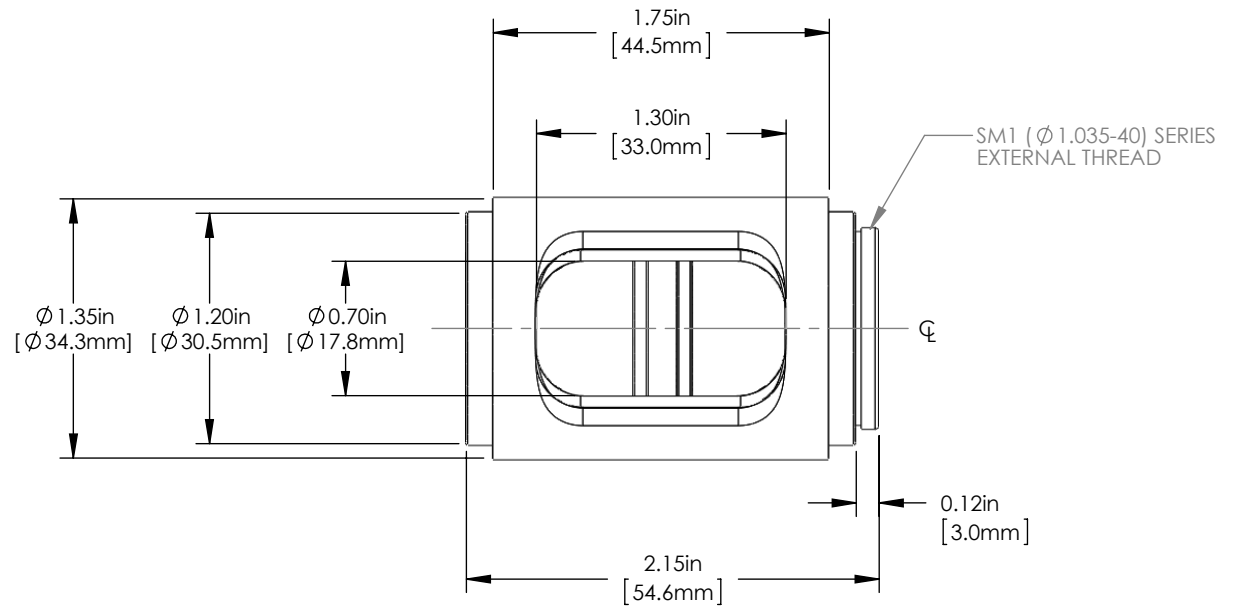




SPANNER WRENCH SLOTS
FOR USE WITH
SPW602 OR SPW801



SM1 (Ø 1.035-40) SERIES
INTERNAL THREAD
2.00in [50.8mm] DEEP
(2) SM1RR RETAINING RINGS (INCLUDED)
Ø 0.90in [Ø 22.9mm] CLEAR APERTURE



FOR INFORMATION ONLY
NOT FOR MANUFACTURING PURPOSES

DRAWING PROJECTION

	NAME	DATE
DRAWN	KBC	17/FEB/16
APPROVAL	AK	17/FEB/16

COPYRIGHT © 2016 BY THORLABS

VALUES IN PARENTHESIS ARE CALCULATED AND MAY CONTAIN ROUND OFF ERRORS

THORLABS
www.thorlabs.com

SM1 x 2.00in SLOTTED LENS TUBE
WITH DUST COVER

MATERIAL	REV
N/A	A

ITEM #	APPROX WEIGHT
SM1L20C	0.03 kg