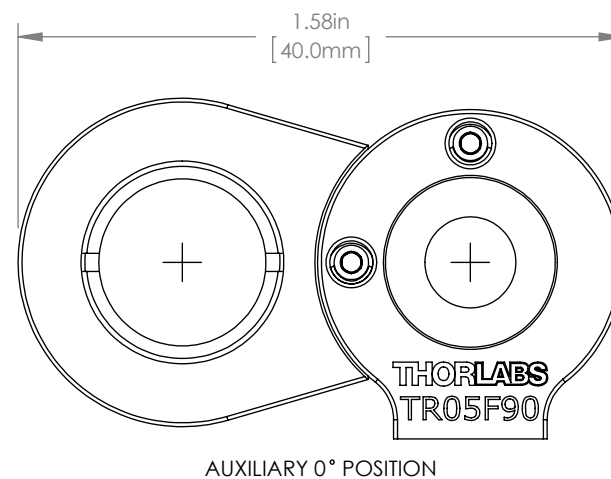
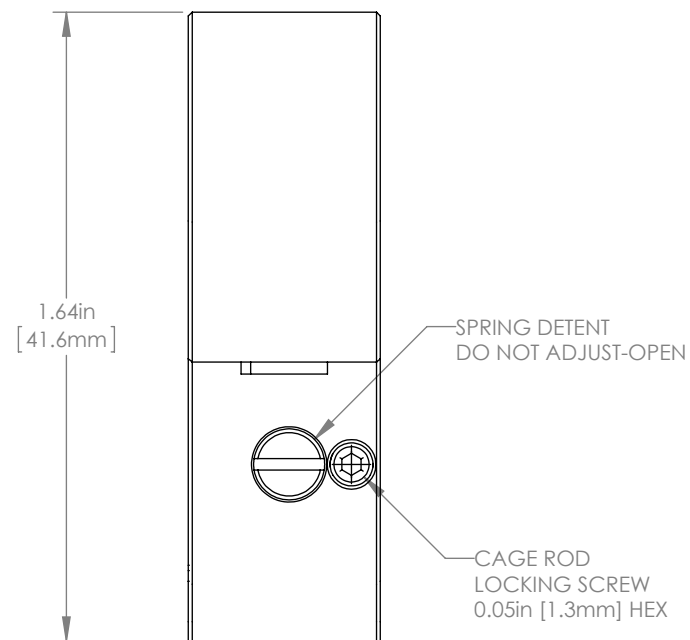


FOR INFORMATION ONLY  
 NOT FOR MANUFACTURING PURPOSES



DRAWING PROJECTION			<b>THORLABS</b> www.thorlabs.com 90° FLIP MOUNT FOR $\varnothing 1/2$ " OPTICS	
NAME	DATE			
DRAWN	HP	09/OCT/13	MATERIAL	
APPROVAL	WG	10/OCT/13		
COPYRIGHT © 2013 BY THORLABS			N/A	
VALUES IN PARENTHESIS ARE CALCULATED AND MAY CONTAIN ROUND OFF ERRORS			ITEM #	APPROX WEIGHT
			TR05F90	0.02 kg
			REV	A