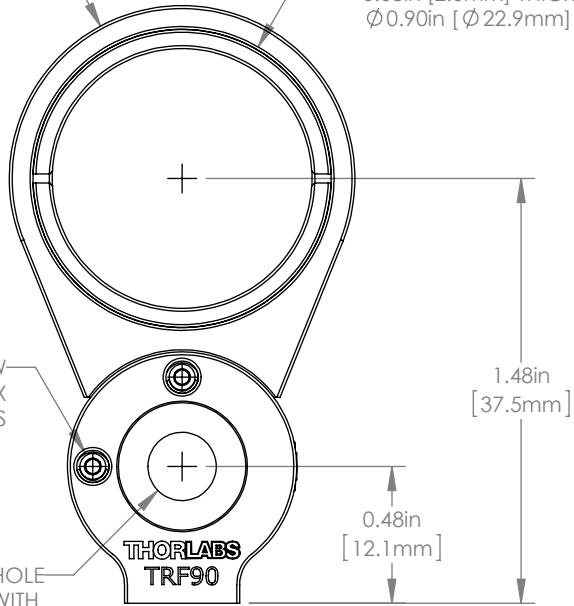
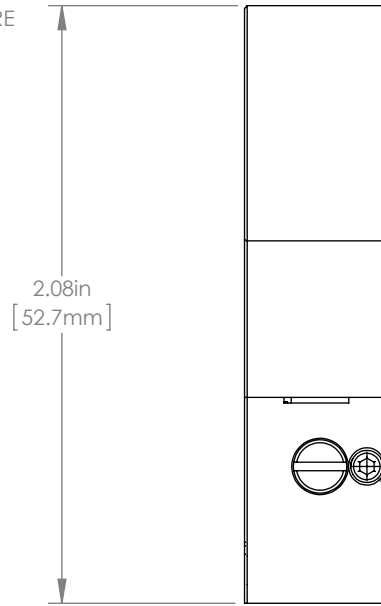


$\phi$  1.20in [30.5mm]  
 SM1 ( $\phi$  1.035-40) SERIES INTERNAL THREAD  
 0.45in [11.4mm] DEEP  
 (1) SM1RR RETAINING RING INCLUDED  
 0.08in [2.0mm] THICK  
 $\phi$  0.90in [ $\phi$  22.9mm] CLEAR APRETURE

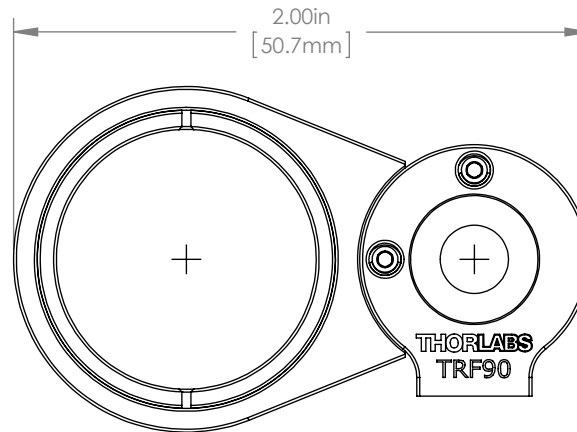
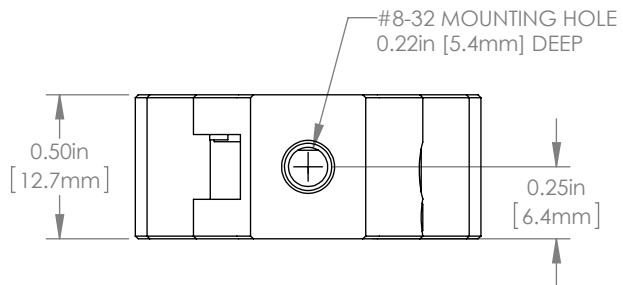


POSITION LOCKING SCREW  
 0.05in [1.3mm] HEX  
 2 PLACES

$\phi$  0.24in [ $\phi$  6.4mm] THRU HOLE  
 FOR USE WITH  
 ER SERIES CAGE RODS



CAGE ROD  
 LOCKING SCREW  
 0.05in [1.3mm] HEX



AUX 0° POSITION

FOR INFORMATION ONLY  
 NOT FOR MANUFACTURING PURPOSES

DRAWING PROJECTION

	NAME	DATE
REDRAWN	AK	19/NOV/13
APPROVAL	TQ	30/DEC/13

COPYRIGHT © 2013 BY THORLABS

VALUES IN PARENTHESIS ARE CALCULATED  
 AND MAY CONTAIN ROUND OFF ERRORS

**THORLABS**  
 www.thorlabs.com

90° FLIP MOUNT

MATERIAL	REV
N/A	E

ITEM #	APPROX WEIGHT
TRF90	1.5 kg