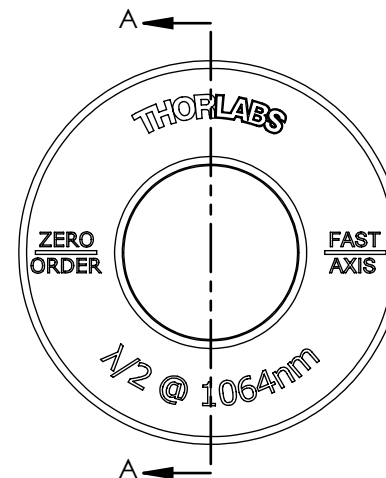
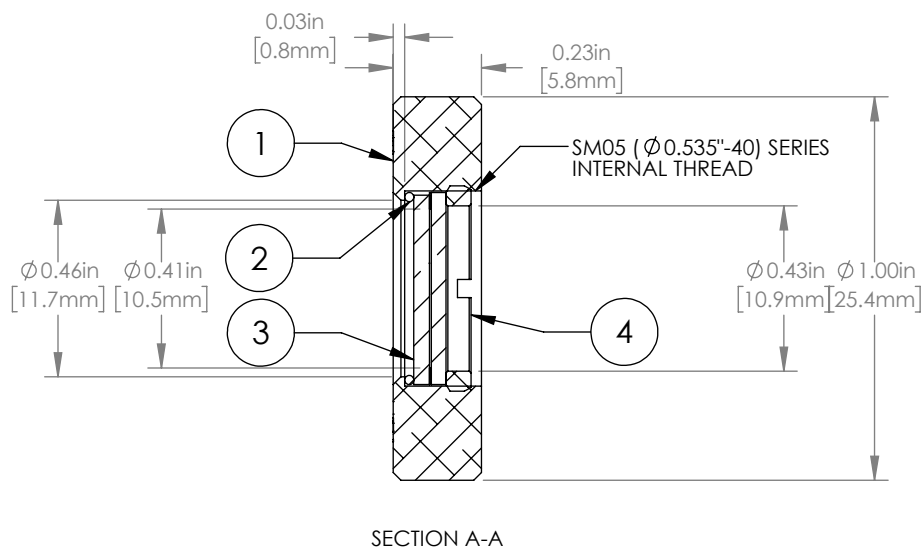
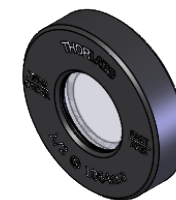


ORDER OF ASSEMBLY

ORDER	ITEM NUMBER	MATERIAL
①	ENGRAVED HOUSING	ALUMINUM
②	O-RING	NITRILE
③	1064nm WAVEPLATE ASSY	CRYSTAL QUARTZ/SS
④	SM05RR	ALUMINUM



NOTES/SPECIFICATIONS:

1. UNMOUNTED DIAMETER: 0.50" ±0.004 (12.7mm ±0.1)
2. BEAM DEVIATION: <10 arcsec
3. RETARDANCE ACCURACY (TYP): <λ/300
4. TRANSMITTED WAVEFRONT ERROR: λ/8 (rms) AT 633nm
5. SURFACE QUALITY: 20-10 SCRATCH-DIG
6. CLEAR APERTURE: Ø0.39" (Ø10.0mm)
7. COATING: VAR AT 1064nm, R<0.25%, 0° AOI/PER SURFACE (4 TOTAL SURFACES)

FOR INFORMATION ONLY
NOT FOR MANUFACTURING PURPOSES

DRAWING PROJECTION			 www.thorlabs.com MOUNTED ZERO-ORDER HALF WAVEPLATE AT 1064nm	
NAME	DATE			
DRAWN	EMT	23/JAN/13	MATERIAL	
APPROVAL	DD	27/SEP/18		
COPYRIGHT © 2018 BY THORLABS			SEE TABLE	
VALUES IN PARENTHESIS ARE CALCULATED AND MAY CONTAIN ROUND OFF ERRORS			ITEM #	APPROX WEIGHT
			WPH05M-1064	6 g

REV E