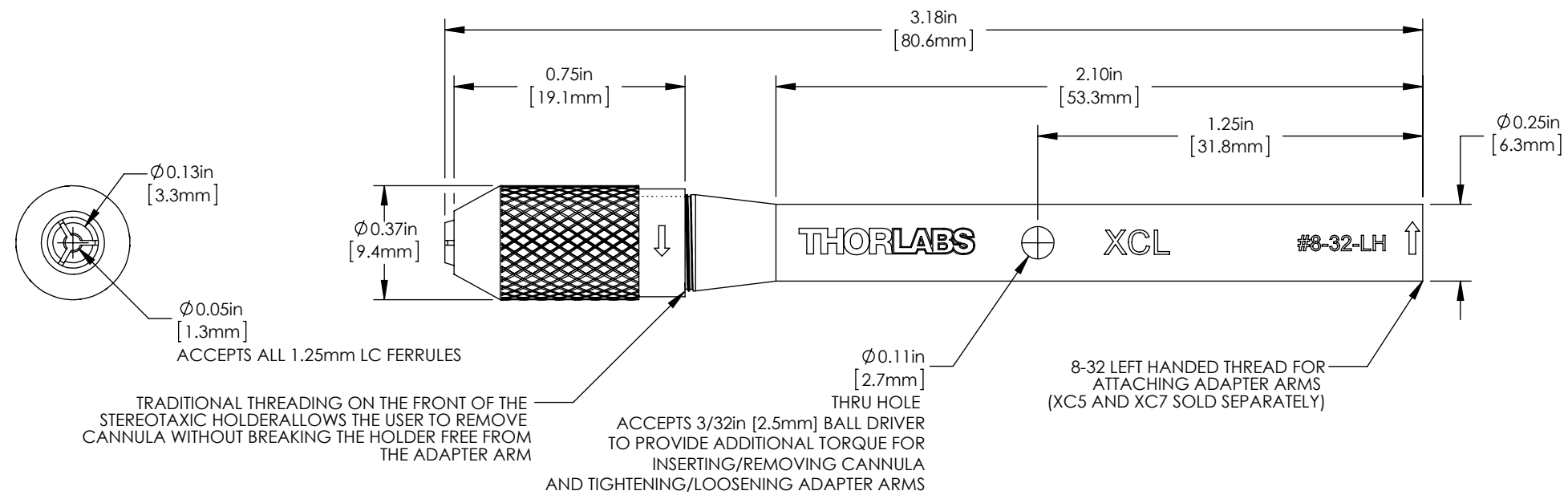


SHOWN IN APPLICATION WITH ADAPTER ARM XC7 (SOLD SEPARATELY)



FOR INFORMATION ONLY
NOT FOR MANUFACTURING PURPOSES

DRAWING PROJECTION				THORLABS www.thorlabs.com STEREOTAXIC CANNULA HOLDER, LC 1.25mm FERRULES	
NAME	DATE				
DRAWN	CAL	26/MAY/15		MATERIAL 303 STAINLESS STEEL	
APPROVAL	PH	26/MAY/15			
COPYRIGHT © 2015 BY THORLABS				ITEM #	APPROX WEIGHT
VALUES IN PARENTHESIS ARE CALCULATED AND MAY CONTAIN ROUND OFF ERRORS				XCL	15 g